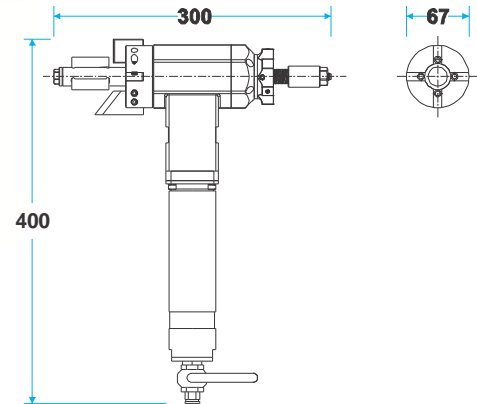
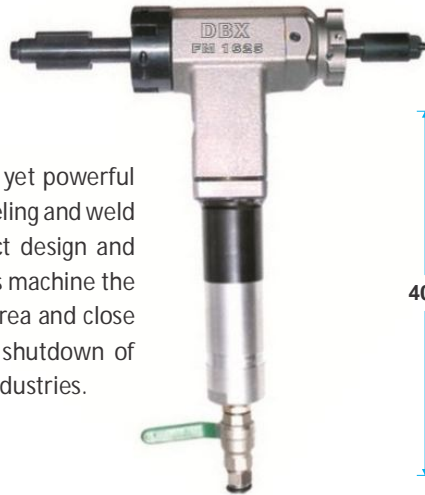


FM-1625

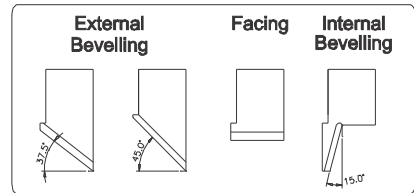
FM- 1625

The little player FM-1625 is light weight yet powerful machine. Use of FM-1625 for Facing, beveling and weld preparation is easier due to its compact design and quick set up. Slim body design makes this machine the best choice for use in restricted access area and close clearance jobs. Commonly used during shutdown of Heat Exchangers, Condenser and Piping industries.



Drive	Pneumatic	Electric
ID Locking Range (mm)	20 - 42	20 - 42
Torque (Nm)	27.5	45.0
Ideal Speed (RPM)	400	250
Feeding Stroke (mm)	23	23
Electric Power (watts)	—	650
Pneumatic Power (HP)	0.60	---
Air Consumption (cfm)	16	---
Air Pressure (psi)	90	---
Weight (kg)	5.5	5.5

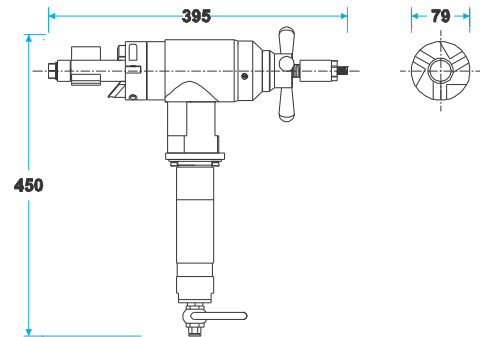
CUTTING BITS



FM-3000

FM-3000

FM – 3000 combines high power with safe and smooth work operation. This machine is regarded as the number one tool in the Marine, Boiler and Power generation industries. DFM 3000 effortlessly produces all the standard weld preparations on all material and schedules of pipe within its range. DFM 3000 has proven its worth and now is a essential tool for general pipe works fabrication.



Drive	Pneumatic	Electric
ID Locking Range (mm)	28 - 76	28 - 76
Torque (Nm)	84	138
Ideal Speed (RPM)	110	140
Feeding Stroke (mm)	40	40
Electric Power (watts)	—	595
Pneumatic Power (HP)	0.83	---
Air Consumption (cfm)	42	---
Air Pressure (psi)	90	---
Weight (kg)	9.5	11.0

CUTTING BITS

