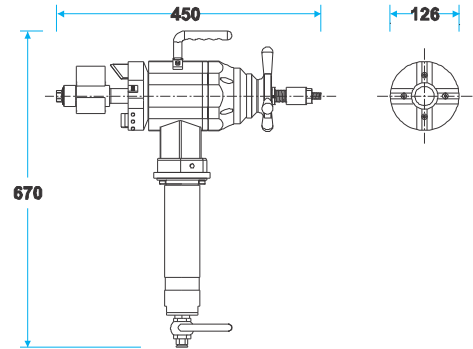
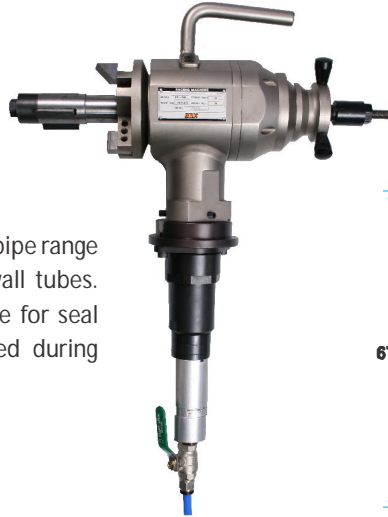


FM-4500

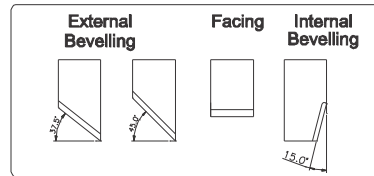
FM- 4500

The DFM-4500 is designed to cover all the boiler pipe range and above. Designed to handle tough heavy wall tubes. Rugged and powerful machine also finds its use for seal weld removal in boilers tubes. Commonly used during shutdown of Boilers and Piping industries.



Drive	Pneumatic	Electric
Locking Range (mm)	39 - 104	39 - 104
Ideal Speed (RPM)	60	60
Torque (Nm)	220	240
Feeding Stroke (mm)	40	40
Pneumatic Power (HP)	1.3	--
Air Consumption (cfm)	40	--
Air Pressure (psi)	90	--
Electric Power (watts)	--	1800
Weight (kg)	21.0	23.0

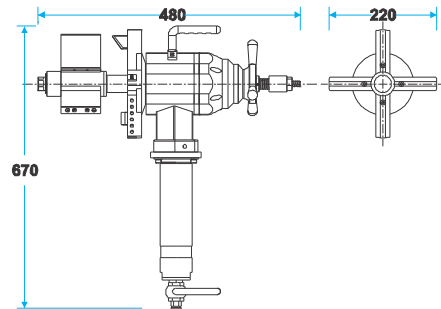
CUTTING BITS



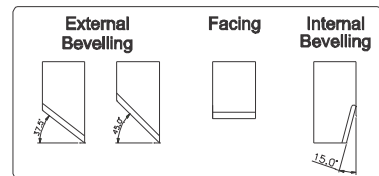
FM- 8000

FM- 8000

The DFM -8000 is an extremely rugged and powerful machine in its class. Machine produces accurate weld preparation on all material of pipe and any scheduled within is range. Commonly used for facing, beveling, counter boring weld edge preparation in piping industries.



CUTTING BITS



Drive	Pneumatic	Electric
Locking Range (mm)	51 - 203	51 - 203
Ideal Speed (RPM)	40	40
Torque (NM)	220	240
Feeding Stroke (mm)	40	40
Pneumatic Power (HP)	1.3	--
Air Consumption (cfm)	40	--
Air Pressure (psi)	90	--
Electric Power (watts)	--	1800
Weight (Kg)	26.5	30.0